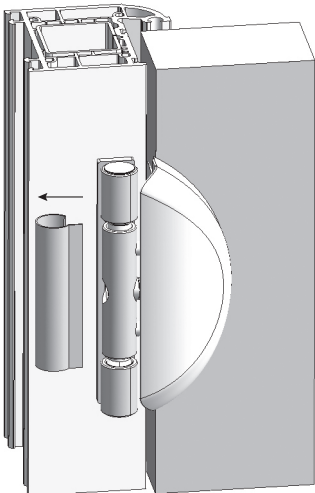


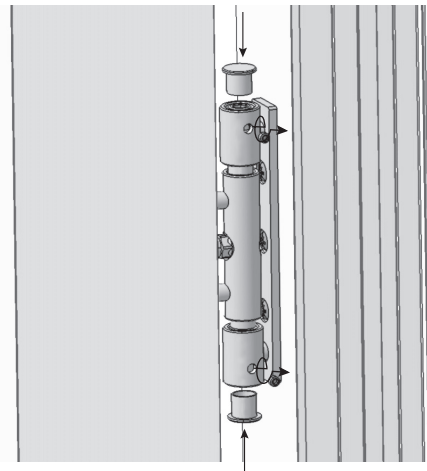
SFS Hinge Adjustment



1. Remove the cover cap.

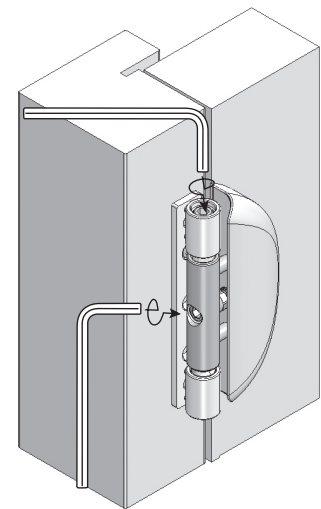


2. Unscrew the security screws and remove the caps.



3. Horizontal adjustment:
Adjust by turning centre screw with a 5 mm Allen Key.

Height adjustment:
Adjust by turning top screw with a 5 mm Allen Key.



4. In difficult situations it is possible to make the horizontal adjustment from inside turning the hexagonal nut with a 9 mm spanner.

5. Refit the caps and fasten the security screws

6. Refit the cover cap on the central barrel.

